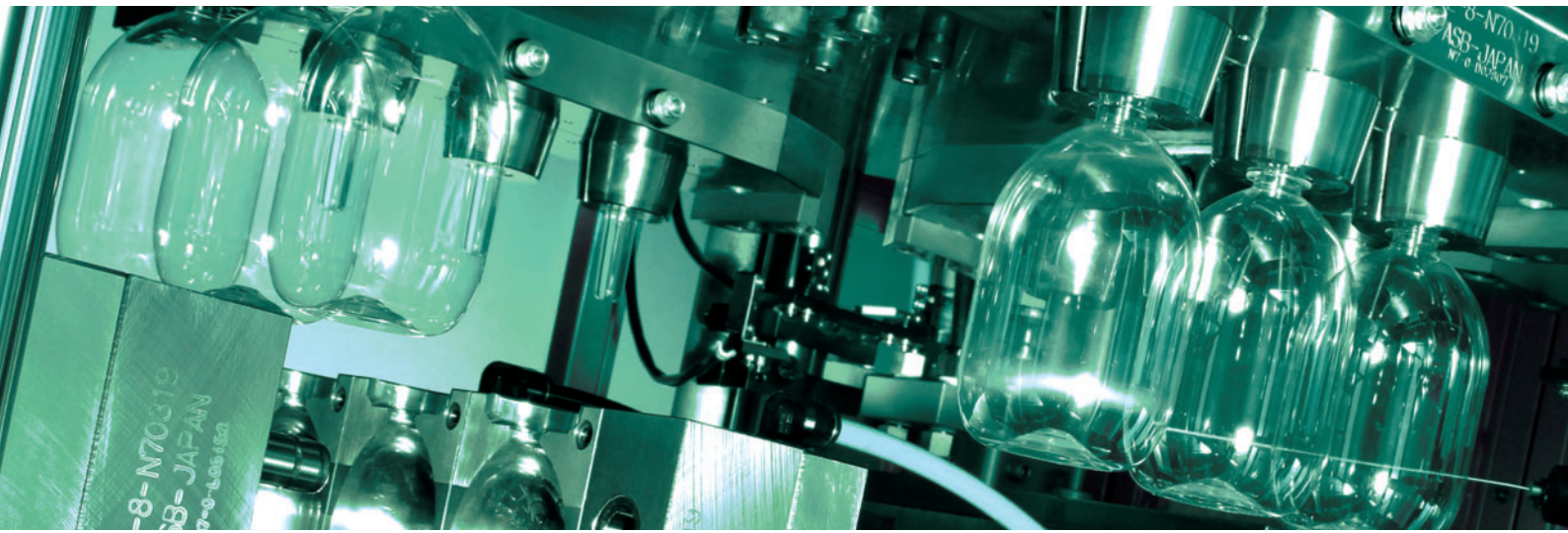


One-Step Injection Stretch Blow Molding Machine

ASB Series

ASB-12N/10

Compact Machine for Small Containers





■ Compact

The ASB-12N/10 can produce a huge variety of high-quality containers in a compact space. It is small enough to be used as a laboratory testing machine while also having the capability to offer serious production output.

■ Customizable Production Growth

Being affordable and compact, a company can start out with 1 or 2 machines, and then build a complete high volume production unit simply by adding more of the same model over time. Mold interchangeability, production flexibility, maintenance and operator training are all greatly simplified by this approach. Numerous ASB global customers operate this way, utilizing up to 20~30 smaller machines within one factory allowing total outputs greater than of 50,000bph while maintaining highly flexible production.

■ Low-volume High-mix Production

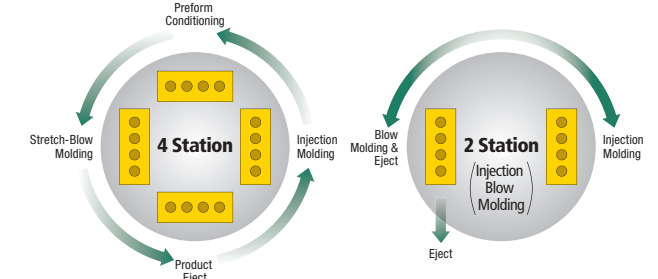
The molds are light and simple meaning that mold changes can be performed without any special equipment and changeover time is short. Container output is variable from 250bph for a single cavity 2.5L oil or water bottle up to 3,300bph for eight cavity small pharmaceutical bottles.

■ Enough Clamping Force for Wide Mouth Jars

With an available injection clamping force of 137kN, there is plenty of capacity for molding small jars up to a neck diameter of 70mm.

■ Injection Blow Molding (IBM) (VB*1 option)

By the addition of optional parts and a suitable mold, it is possible to convert the machine into an injection blow molding machine utilizing only two of the normal four molding stations. Small containers with high definition such as cosmetic and pharmaceutical bottles can be produced by this method. The machine can mold wide range of materials including PP, PC, PE, PET. *1: ASB original Vertical Blow method.



■ Heavy Container Molding (Option)

By purchasing the machine fitted with an optional extended capacity injection unit (long barrel), extreme heavyweight containers having a glass-like feel and appearance can easily be molded. This is an ideal solution for ultra-high quality cosmetic containers.

■ Energy Efficient & Consistent Operation

Variable displacement piston pumps contribute to energy saving, while advanced control systems ensure that the machine operates with great repeatability. All molding parameters are accessed via the touch panel where molding recipes can be stored further simplifying mold changeover.

Machine Specification	Unit	ASB-12N/10
Standard Screw Diameter (φ)	mm	44
Theoretical Injection Capacity	cm ³	152*2
Injection Clamping Force	kN	137
Blow Clamping Force	kN	116
Driving Power (Rated)	kW	19.3
Heater Capacity (Rated)	kW	19.3*3
Oil Reservoir Capacity	L	220
Machine Size (L×W×H)	mm	4,083×1,110×2,957
Machine Weight (Approx.)	ton	4.0

*1: Specifications are subject to change without any obligation on the part of the manufacturer.
*2: This is considering the standard screw.
*3: Depends on container specification, number of cavity and mold.

Products Specification	Unit	ASB-12N/10										ASB-12N/10 (Injection Blow)					
		1	2	3	4	5	6	(7)	(8)	(1)	(2)	(3)	(4)	(5)	(6)		
Cavity Number	cavity	1	2	3	4	5	6	(7)	(8)	(1)	(2)	(3)	(4)	(5)	(6)		
Max. Capacity	L	2.5	1.5	0.9	0.4	0.25	0.1	(0.03)	(0.02)	(0.80)	(0.45)	(0.28)	(0.16)	(0.10)	(0.07)		
Max. Thread Diameter	T mm	72	62	42	30	27	21	(17)	(15)	(72)	(62)	(42)	(30)	(27)	(21)		
Max. Neck Diameter	E mm	70	60	40	28	25	19	(15)	(13)	(70)	(60)	(40)	(28)	(25)	(19)		
Max. Support Ring Diameter	SR mm	72	62	42	30	27	21	(17)	(15)	-	-	-	-	-	-		
Max. Body Diameter	BD mm	118	100	74	52	42	35	(28)	(26)	(118)	(100)	(74)	(52)	(42)	(35)		
Max. Width Parting Line	WD mm	-	113	74	52	42	35	(28)	(26)	-	(113)	(74)	(52)	(42)	(35)		
Max. Height	HB mm	-	-	-	-	-	-	-	-	(310)	(140)	(130)	-	(100)	-		
Max. Weight *4	g	129	65	43	32	26	22	(18)	(16)	(77)	(38)	(25)	(19)	(15)	(12)		

*4: All figures are subject to container configuration. () Optional feature.
*4: Using standard screw and PET for ASB-12N/10 and PE for injection blow as material. Max. weight can be increased by approx. 1.47 times if long barrel (factory option) is used.



● Blow Mold and Take-out Station

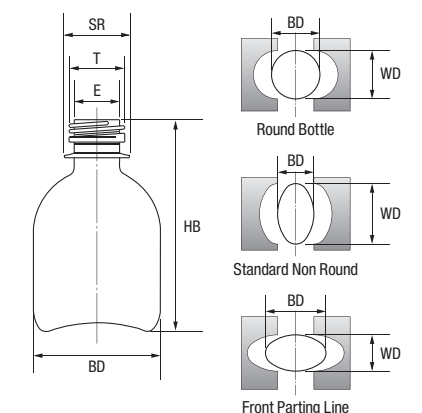
Compact & Versatile machine for small bottles and jars.

Ideal for high-mix, low-volume production.

The ASB-12N/10 is a one-step injection stretch blow machine that can stretch blow mold a wide range of containers and materials. Bottles and jars from 2.5L right down to 1ml all fit within its wide capabilities. Compact but powerful, it is a perfect choice for the manufacture of high quality containers such as cosmetics and baby feeding bottles. It is highly suitable for high-mix low-volume production where profit margins are typically the highest in the industry.

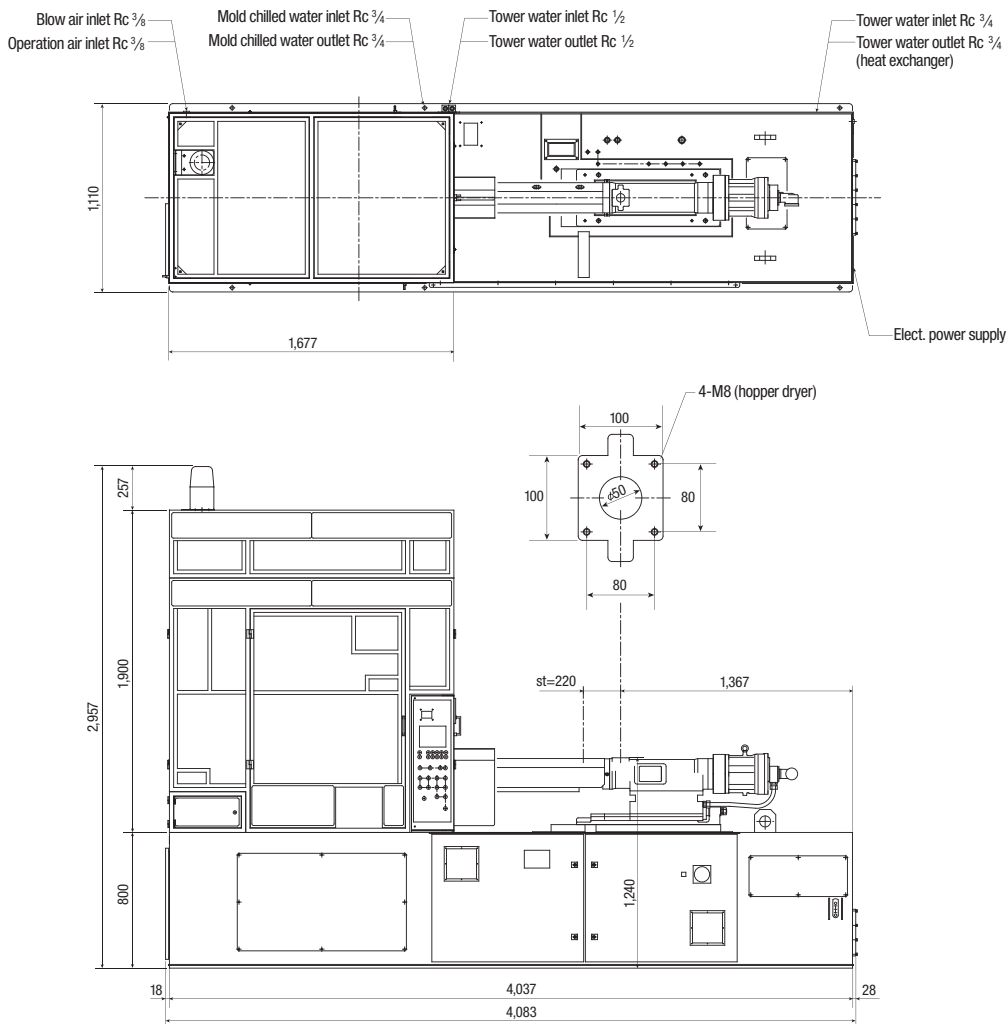


Sample of Sharp Corner by IBM



■ Typical Containers

- Applications: Cosmetics (mascara, lotion, cream etc.), pharmaceuticals (eye drops, medicine etc.), baby feeding bottles, spice, liquor, carbonated drink etc.
- Materials: PET, PP, PC, PEN, PS, PES, PPSU, recycle PET etc.
- Shapes: Plain round, wide-mouth, oval, non-round, ultra-light etc.



ASB®

NISSEI ASB MACHINE CO., LTD.

4586-3 Koo, Komoro-Shi, Nagano-Ken 384-8585, JAPAN
TEL: 81 (267) 23-1565
FAX: 81 (267) 23-1564
E-Mail: sales@nisseiasb.co.jp
www.nisseiasb.co.jp/en/



www.youtube.com/user/NisseiASBMachine

Head Office and Factory	NISSEI ASB MACHINE CO., LTD. 4586-3 Koo, Komoro-shi, Nagano-ken 384-8585, JAPAN TEL: 81 (267) 23-1565 FAX: 81 (267) 23-1564 E-Mail: sales@nisseiasb.co.jp
U. S. A. and Canada	NISSEI ASB COMPANY 125 Westlake Parkway Suite 120, Atlanta, Georgia 30336 U.S.A. TEL: 1 (404) 699-7755 FAX: 1 (404) 696-9009 E-Mail: sales@nisseiasbus.com
Mexico, Central America	NISSEI ASB CENTRO AMERICA, S.A. DE C.V. Torres Adalid 618 1er Piso, Col. Del Valle C.P. 03100, México, D.F., MEXICO TEL: 52 (555) 669-00-69 FAX: 52 (555) 669-16-45 E-Mail: info@asbcentroamerica.com
South America	NISSEI ASB SUDAMERICA LTDA. Av. Queiroz Filho nº 1.700 – Edifício Sky Tower – Conjunto 108 Bairro Alto de Pinheiros – São Paulo – SP CEP: 05319-000, BRAZIL TEL: 55 (11) 3641-5353 FAX: 55 (11) 3831-9948 E-Mail: sales@nisseiasb.com.br

UK, and Ireland	NISSEI ASB LIMITED 2 Milnyard Square, Bakewell Road, Orton Southgate, Peterborough PE2 6GX, UK. TEL: 44 (1733) 233544 FAX: 44 (1733) 235647 E-Mail: sales@nisseiasb.co.uk
Europe, CIS, Turkey and Egypt	NISSEI ASB GmbH Mündelheimer Weg 58, 40472 Düsseldorf, GERMANY TEL: 49 (211) 94104-0 FAX: 49 (211) 94104-39 E-Mail: nissei@nisseiasb.de
Iberia, Italy and Maghreb	NISSEI ASB MEDITERRANEA, S.L.U. Poligono Industrial Vallegón Pabellón 38, 39709 Samano (Cantabria), SPAIN TEL: 34 (942) 87-1016 FAX: 34 (942) 86-7922 E-Mail: nisseiasb@nisseiasbmediterranea.com
Middle East and Central Africa	NISSEI ASB FZE Jebel Ali Free Zone (South) Warehouse No. FZS1B-H06 P.O. Box: 16789, Dubai, U.A.E. TEL: 971 (4) 8860919 FAX: 971 (4) 8860918 E-Mail: asbuae@emirates.net.ae
	NISSEI ASB AFRICA LIMITED Novel House, Plot 3, Block J, Otunba Jobi Fele Way, Alausa CBD, Ikeja, Lagos, NIGERIA TEL: 234 (1) 8448167 E-Mail: ASB_Africa@asbfze.ae

South & West Asia, Oceania, and Southern Africa	NISSEI ASB PTE. LTD. 85 Science Park Drive #01-03 The Cavendish Singapore Science Park I SINGAPORE 118259 TEL: 65-6778-4633 FAX: 65-6778-9440 E-Mail: sales@nisseiasb.com.sg
	ASB PTE (THAILAND) CO., LTD. 124 Soi 1 Sukhumvit 62 Sukhumvit Road Bangchak Prakanong Bangkok 10260 THAILAND TEL: 66 (2) 311-7556/7557/7558 FAX: 66 (2) 741-7295 E-Mail: asbpte@trueaimail.com.th
	NISSEI ASB SOUTH AFRICA (Pty) LTD. 97 Sovereign Drive, Route 21 Corporate Park, Nelmapius Drive, Irene Ext.30, 0062, 0157, SOUTH AFRICA TEL: 27 (12) 345-4924 FAX: 27 (12) 345-5667 E-Mail: sales@nisseiasb.co.za

	PT. ASB INDONESIA Jl. Pangeran Jayakarta, No. 26, Block A-18, Jakarta Pusat 10730, INDONESIA TEL: 62 (21) 629-7978/5018 FAX: 62 (21) 629-5010 E-Mail: asbindonesia@cbn.net.id
	PHILIPPINES Office Unit 1703 Annapolis Wilshire Plaza No.11 Annapolis Street, Greenhills San Juan, Metro Manila, PHILIPPINES 1500 TEL: 63 (2) 725-4220 FAX: 63 (2) 725-4203 E-Mail: nisseiasb@smartbroadband.net.ph
	VIETNAM Office Suite 601 6th Floor, Zen Plaza 54-56 Nguyen Trai Street, Dist. I, Ho Chi Minh City, VIETNAM TEL: 84 (8) 3925-1008 FAX: 84 (8) 3925-1009 E-Mail: nisseiasbhcm@vnn.vn
	INDIA BRANCH Office 309-311, Ansari Chambers-II 6, Bhikaji Cama Place, New Delhi 110 066, INDIA TEL: 91 (11) 2618-1615/2619-4031 FAX: 91 (11) 2619-4129 E-Mail: asbdel@asbi.co.in
	PAKISTAN Office 401, Progressive Square 11-A, Block-6, P.E.C.H.S. Karachi 75400, PAKISTAN TEL: 92 (21) 3454-6533 FAX: 92 (21) 3453-7469 E-Mail: asbpakistan@gmail.com
	AUSTRALIA Office PO Box 1252, Camberwell, Victoria, 3124 AUSTRALIA TEL: 61 (418) 312-386 E-Mail: asbaust@alphalink.com.au
China	SHANGHAI ASB TRADE CO., LTD. Room 1109, 339-1 Jiuxin Rd., Jiuting, Songjiang District, Shanghai 201615, CHINA TEL: 86 (21) 5763-0233 FAX: 86 (21) 5763-0699 E-Mail: sales@shasb.com
Overseas Factory and Sales	ASB INTERNATIONAL PVT. LTD. E-9, MIDC, Industrial Area, Anand Nagar, Addl. Ambarnath, District-Thane-421506, Maharashtra, INDIA TEL: 91 (251) 262-5000/648-5070 FAX: 91 (251) 262-5035/5055 E-Mail: sales@asbi.co.in