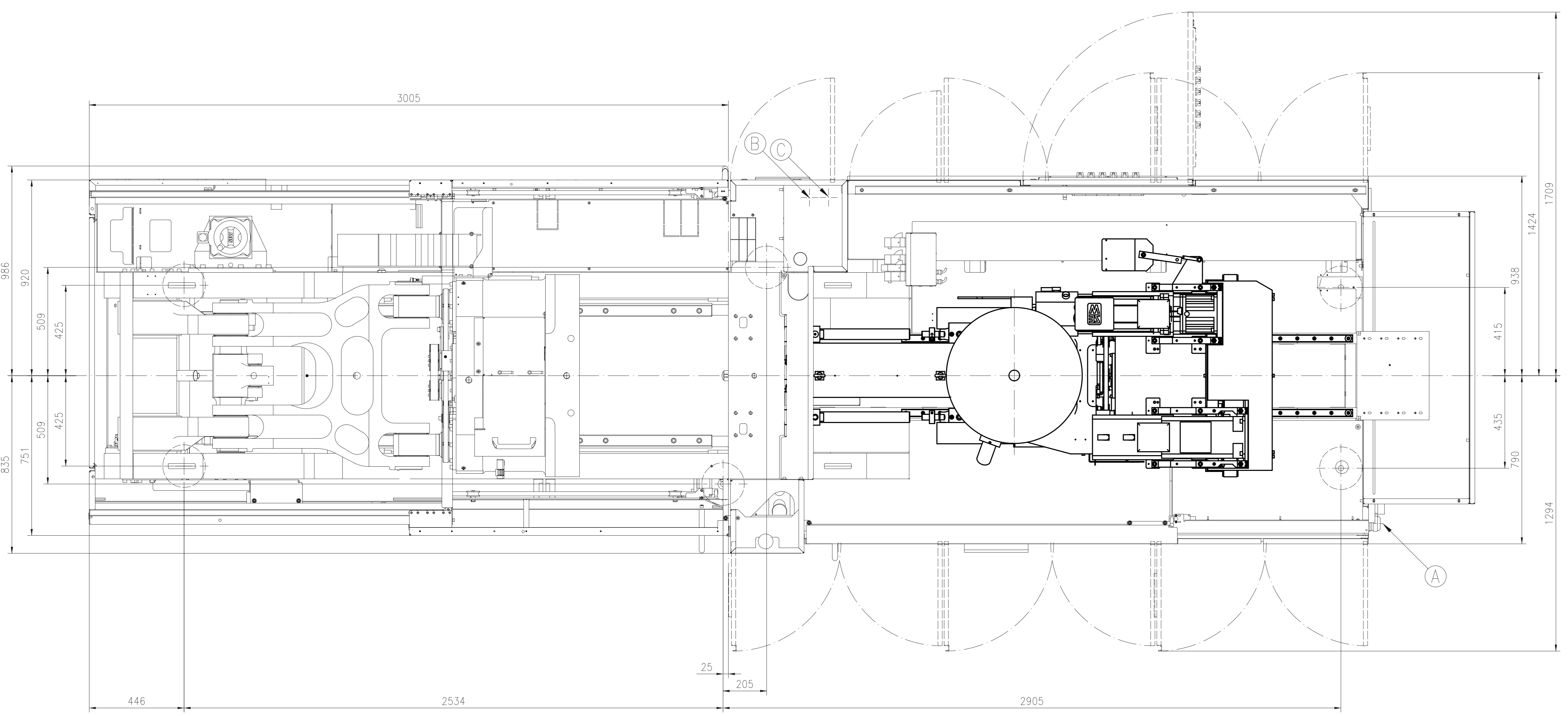
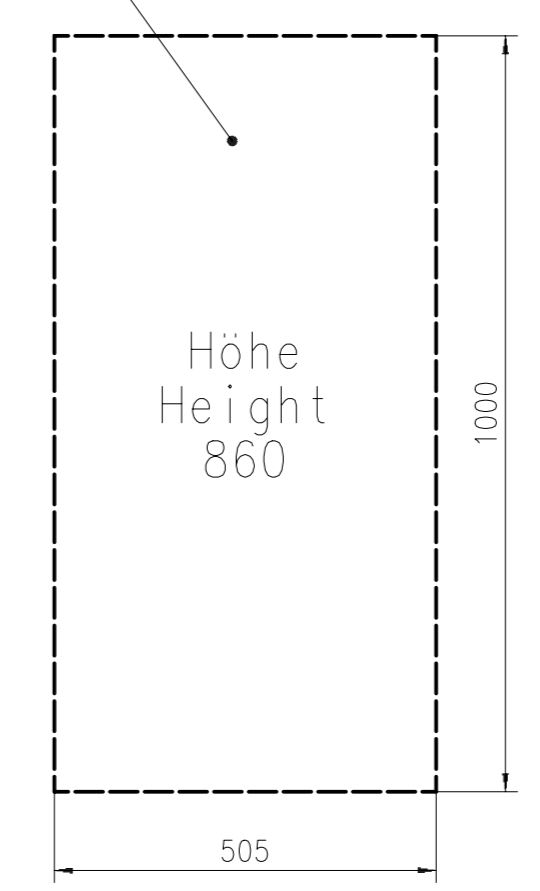


Maschine wird auf Fundament entsprechender Qualität aufgestellt (Baufachmann)
 Installation of machine on a foundation of appropriate quality (building expert)



Option Trenntrafo bei:
 Option Isolation transformer:
 -Fehlerstromschutzschalter
 Residual device
 -IT-Netz
 IT-network
 -Netzspannung 3x220V/50-60Hz
 Power supply 3x220V/50-60Hz
 -Netzspannung 3x575V/50-60Hz
 Power supply 3x575V/50-60Hz



- A Elektroanschluss
main connexion
 - B Kuehlwasser - Zulauf/Schlauchstueck 3/4"
cooling water-inlet/hosepipe
 - C Kuehlwasser - Ablauf/Schlauchstueck 3/4"
cooling water outlet/hosepipe
 - D Transportvorrichtung
transport-device
- Gesamt-Elektroanschlusswert
total electric connected load

TYPE	Massezylinder Schnecken ø Screw diameter	H (mm)	L1 (mm)	L2 (mm)	Gewicht Machine weight (kg)
EM 440/150,180	35, 40	2180	6015		15300
EM 740/150,180	45, 50, 55	2228		6515	16000
EM 940/150,180	50, 55, 60	2228		6515	16300

For information only!

DESCRIPTION/RENDERING FOUNDATION LAYOUT FUNDAMENTPLAN		SCALE/MASSST. 1:10	
DRAWING NO./ZNR. 5265-904-23-00-005		REV. NO./NR. 00	SHEET NO./BLATT NR. 1/1
APPL. STD./NTR./NRM ETR10009 ISO 6015 ISO 2768-mK		DOC. SMT./DOK./SMT. FR	DATE/TERMIN 2005-10-24
MATERIAL/NERST.: ENGL. AUSTRIA		MATERIAL/NERST.: ENGL. NORTH AMERICA	
ACC. TO/GENMASS		ACC. TO/GENMASS	
REPRODUCTION, DISTRIBUTION AND UTILIZATION OF THIS DOCUMENT AS WELL AS COMMUNICATION OF ITS CONTENTS TO OTHERS WITHOUT EXPRESS AUTHORIZATION FROM ENGEL IS PROHIBITED. OFFICERS WILL BE HELD LIABLE FOR THE BREACH OF THESE. ALL RIGHTS RESERVED. COPYRIGHT (C) ENGEL.		MULTIPLIERS: SOME VERTICAL LINES IN THESE DOCUMENTS, REPRESENTING AND WRITING SEALS, SHALL BE REPRODUCED, SOMETIMES WITHOUT APPROVAL OF THE ORIGINAL AUTHOR. THESE DOCUMENTS ARE NOT TO BE REPRODUCED, EITHER WHOLLY OR IN PART, WITHOUT THE WRITTEN PERMISSION OF ENGEL.	
		ENGEL	